

## SRP Wall Strapping System Options & Installation

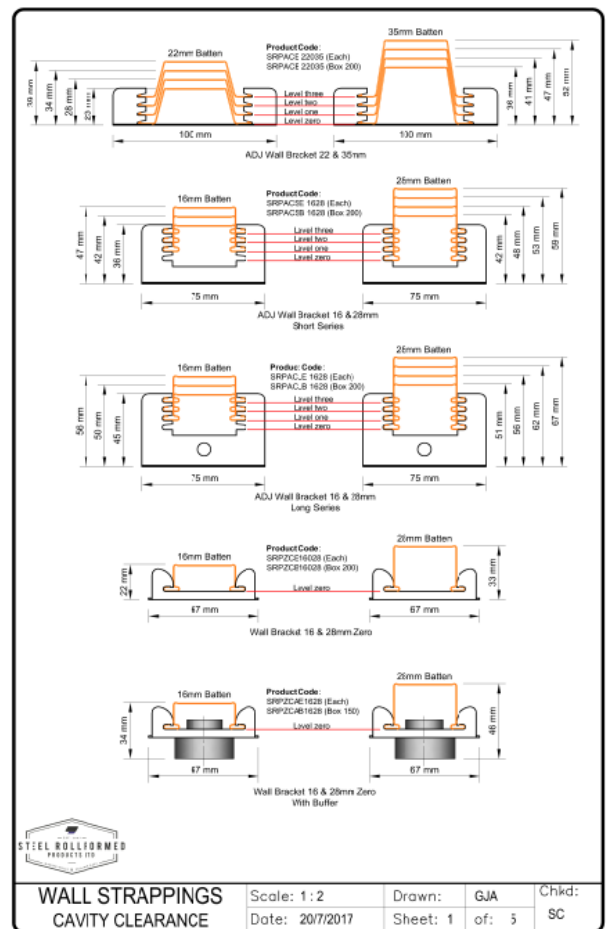
SRP Wall Strapping Systems are specifically designed for strapping and lining of concrete/ pre-cast, masonry, block, or brick walls – often the internal side of building external walls, or alternatively exposed concrete internal walls/ pillars.

These above types of substrates are often uneven, and so require levelling-out prior to wall lining (of interior walls), to achieve a reasonable or high-level surface finish. Levelling can be achieved using either one of 4 x SRP Wall Strapping Systems options. SRP Wall Strapping system clips should be securely fixed (using suitable fixings) and checked for alignment prior to fixing plasterboard/ linings.

In many building types, an SRP Wall Strapping System is used to make allowance for other building products/ components which need to be encapsulated within the wall (thickness). These often include insulation, electrical cables, or conduits, plumbing and service pipelines of varying diameter/ dimensions.

### SRP METAL BATTEN & ADJUSTABLE WALL STRAPPING CLIP SYSTEM 1

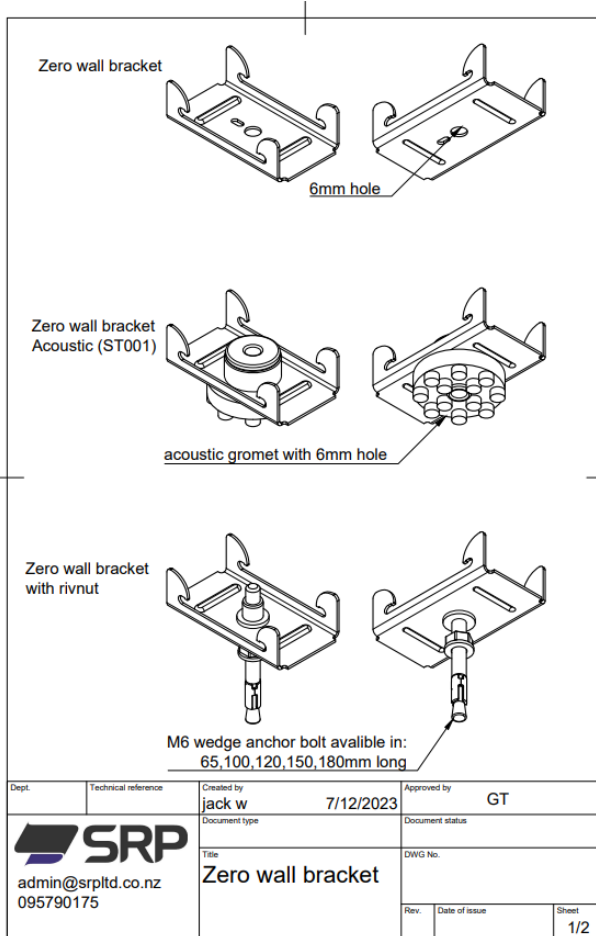
**SUITABILITY:** *Electrical conduits, SML diameter Service pipelines, insulation*  
 Cavity Range = 22mm > 67mm  
 (Batten Options: 16, 22, 28, 35mm + 4-Stage Adj. Clips)



## SRP BATTEN & ZERO BRACKET W/ RIVNUT + THREADED ROD SYSTEM 2

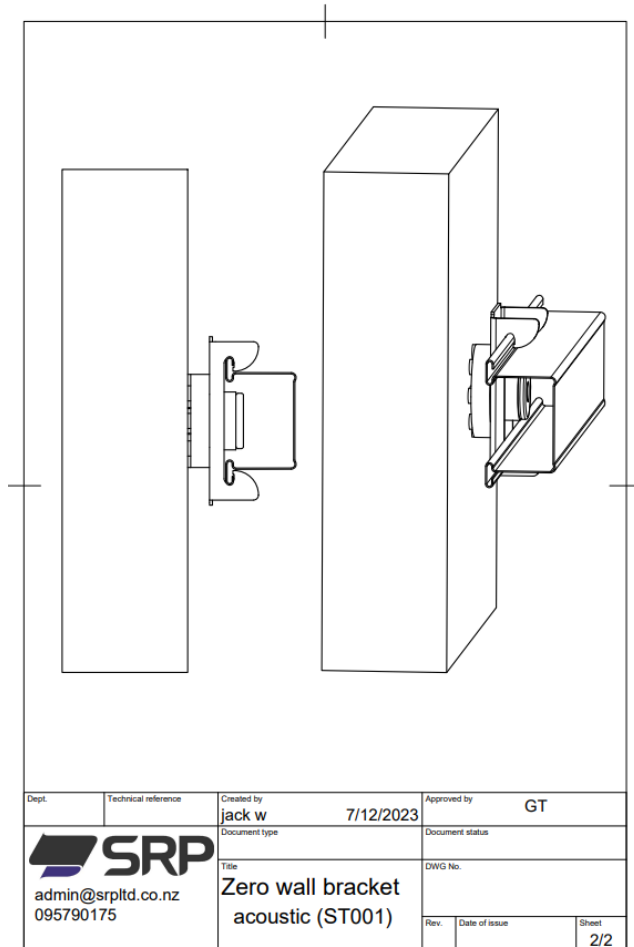
**SUITABILITY:** Insulated Panel  
Systems/ External Concrete (fine  
thread adjustment)

Cavity Range = 20mm > 141mm (w/  
32mm Wedge Anchor embedment 65  
– 150mm bolts)



## SRP ACOUSTIC CLIP & METAL BATTEN SYSTEM 3

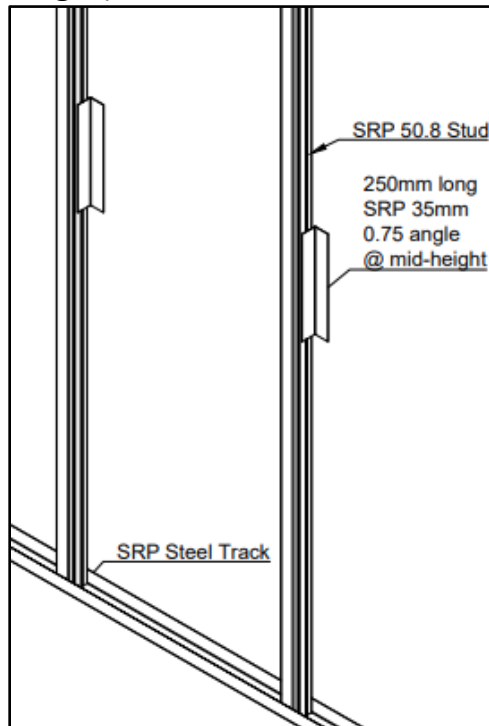
**SUITABILITY:** Electrical conduits, SML  
diameter Service pipelines, insulation  
Cavity Range = Approx. 40mm > 50mm  
(Some adjustment via rubber thread)  
Batten Options: 16mm/ 28mm



## SRP STEEL STUD & TRACK WALL STRAPPING SYSTEM 4

**SUITABILITY:** LGE diameter Service pipelines: Plumbing/ Electrical Ducting

Cavity Range = 51mm > 150mm (steel studs to be braced back to wall @ mid height)



Please refer [www.srp ltd.co.nz](http://www.srp ltd.co.nz) for downloadable CAD Details.

### Technical Requirements of the NZBC

B 1.3.3 (a) – Self Weight  
B1.3.3 (f) – Earthquake  
B 1.3.3 (h) – Wind  
B 2.3.1 - Durability 50 years  
G 6.3.1 – The sound transmission class of walls, floors  
SRP Products are manufactured from Z275 Galvanised, G250 Steel - which is non-combustible.

### Evidence - Methodology Summary of NZBC Compliance

1. ASNZ4600 (Steel chemical composition, gauge grade tolerance, galvanised coating, testing statistics, yield point etc.
2. NZS4129 (seismic)
3. NZS3404 (fabrication)
4. AS1397 (sheet and strip)
5. AS1538 (cold formed structures)
6. ASZLN1170 (steel structures)
7. AS/NZS2785 (Suspended Ceilings)

### Compliance Pathways

B1/ VM1

An Engineered design is required - this needs to be done by a suitably qualified Engineer, who can also provide a PS-1.

### B2 Durability

SRP uses GALVSTEEL® manufactured by New Zealand Steel. The continuous hot-dip galvanized Zinc coating conforms to the industry standard required for this application; Z275 (275 g/m2 total). New Zealand Steel made GALVSTEEL® for framing is backed by a 50-year Durability Statement to demonstrate compliance with NZBC Clause B2-Durability, when used and maintained as referred to in the current New Zealand Steel's Durability Statement.

### G6 Airborne

G6/ AS1

### Criteria – Design Guidelines

Please contact Steel Rollformed Products Ltd - for Design Assistance, or visit [www.srp ltd.co.nz](http://www.srp ltd.co.nz)

An Engineered design is often required - this needs to be done by a suitably qualified Engineer, who can also provide a PS-1.

Please refer SRP Wall Systems/ Ceiling Systems Handbook for installation requirements or visit [www.srp ltd.co.nz](http://www.srp ltd.co.nz)

### Installation Requirements

Please refer to SRP Wall Systems or SRP Ceiling Systems Handbooks (pdf).

For SRP Wall & Ceiling System Installation instructions/ downloadable CAD details refer: [www.srp ltd.co.nz](http://www.srp ltd.co.nz)

### Maintenance

No maintenance required - SRP Galv. Steel products/ systems are typically concealed (within walls/ ceilings), once installed.

### Scope of use

*This varies between SRP Products/ systems... please refer to individual SRP product installation instructions via SRP website.*